



4. Exelle, T-MAX version (optional) is a finely brushed titanium frame, available with open or closed front. It offers maximum strength with considerable weight reduction.

4

PROGEO by RehaTEAM s.r.l.
Vicolo Negrelli 4
31040 Castagnole di Paese TV
ITALY
Tel. +39.0422.484657 r.a. / +39.0422.480387
fax +39.0422.484661 / +39.0422.484684
info@rehteamprogeo.com
www.rehteamprogeo.com

RETAILER:

exelle

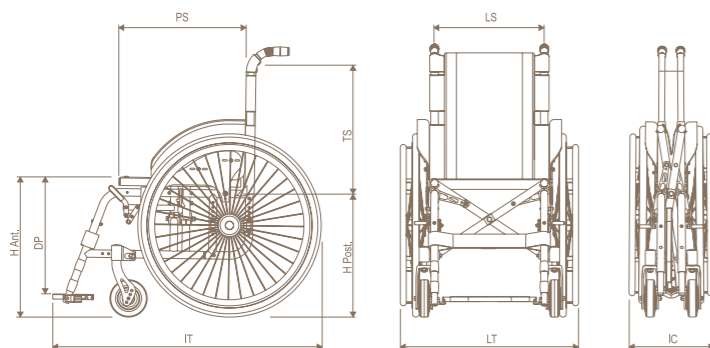


PROGEO
ACTIVE DESIGN

The original Progeo active wheelchairs has been renewed and continues to offer a huge range of possibilities thanks to its various frames which are available in different shapes and materials. The high precision, strengthened crossbar system ensures a unique rigidity and driving characteristics to the wheelchair. The eye-catching design is enriched with a wide range of accessories and colours.



The wheelchair is extremely compact when folded.



- LS: Seat Width 33-36-39-42-45-48 cm.
- PS: Seat Depth 35-37,5-40 (std)-42,5-45-47,5 cm.
- H Post.: Rear Height 44 (std) cm. Adjustable.
- IT: Total Length 90 cm approximately.
- LT: Total Width LS+17 cm (in standard configuration 0°).
- TS: Backrest Height 36 (std) cm. Adjustable from 30 to 54 cm.
- H Ant.: Front Height 49 (std) cm. Adjustable.
- DP: Footplate Distance Adjustable.
- IC: Encumbrance 26 cm approximately.
- Weight (in standard configuration):** 12 Kg approximately.

Typology:
Ultra light wheelchair with crossbar system.
Use:
For indoor and outdoor use.



1. Dynamic rear frame (optional) with multi-adjustment jointed system for the rear wheel, backrest angle adjustment and rotating mudguard system.

2. Front frame adjustment.

3. High precision reinforced crossbar system.

