

English

Company stamp

Date .....  
Order .....  
Responsible .....  
Phone .....

User name .....  
Address .....  
Zip Code ..... City .....  
State .....

**FEATURES**

**Weight in lighter configuration LS 36 - PS 40 from 9,5Kg**

Front frame Titanium - Rear frame Titanium - Casters 3" Sport - Rear wheels 24" ULTRA-LIGHT PROGEO KEY SPORT - Handrim aluminium - Tyre high pressure tyre - Carbon fibre mudguard.



**Weight in standard configuration LS 36 - PS 40 from 10,5Kg**

**Wheelchair measures**

|   |   |
|---|---|
| Seat width (LS) <input type="checkbox"/> 33 <input type="checkbox"/> 36 <input type="checkbox"/> 39 <input type="checkbox"/> 42 <input type="checkbox"/> 45 <input type="checkbox"/> 48       | Setting<br>★ Standard <input type="checkbox"/> Prudential <input type="checkbox"/> Active <input type="checkbox"/> Extreme    |
| Seat depth (PS) <input type="checkbox"/> 35 <input type="checkbox"/> 37,5 <input type="checkbox"/> 40 <input type="checkbox"/> 42,5 <input type="checkbox"/> 45 <input type="checkbox"/> 47,5 | Rear wheel camber <input type="checkbox"/> 0° <input type="checkbox"/> 1,5° <input type="checkbox"/> 3°                       |
| Footplate distance (DP) ..... (Real distance between seat and footplate)<br><u>See reference tables N4</u>  | Rear wheel camber frame Dynamic<br>★ 0° <input type="checkbox"/> 1,5° <input type="checkbox"/> 2° <input type="checkbox"/> 4° |
| Backrest Height (TS) Std.Value 36 .....<br><u>See reference tables N5</u>   | Crossbrace (black) ★ Single <input type="checkbox"/> Double<br>(Not seat width 33-36)   |
| Front height ..... (STD 49) - Rear height ..... (STD 44)  | <u>See reference tables N1 - N2</u>   |

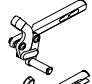
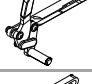
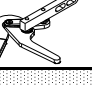
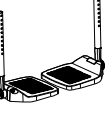
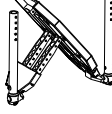
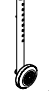



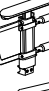

| Front frame   | Price | Rear frame  | Price |
|---|-------|---|-------|
| <b>Frame Angle</b><br><input checked="" type="checkbox"/> 110° <input type="checkbox"/> 100°<br><input type="checkbox"/> Short frame - Ideal with Seat depth (PS) 35 - 37,5<br><input type="checkbox"/> Medium frame - Ideal with Seat depth (PS) 40 - 42,5<br><input type="checkbox"/> Long frame - Ideal with Seat depth (PS) 45 - 47,5<br>★ Aluminium frame<br><input type="checkbox"/> Titanium frame T MAX 03939 <b>250,00</b><br><b>Brushed Titanium frame - not varnished</b><br><b>Weight reduction approx. 200gr</b> |       | ★ Aluminium standard frame<br><b>See note (1)</b><br><input type="checkbox"/> Titanium frame T MAX<br><b>Brushed Titanium frame - not varnished</b> 03940 <b>300,00</b><br><b>Weight reduction approx. 250gr</b><br><b>See note (1)</b><br><input type="checkbox"/> Aluminium frame DYNAMIC 03942 <b>150,00</b><br><b>With rake adjustable backrest (±9°)</b><br>Black rear wheel plate with multifunction jointed system<br>Mudguard with multifunction rotative system<br><b>See note (2 - 3)</b> |       |

| Colour aluminium frame   | Price   |
|--|---|
| <input type="checkbox"/> Polished black <input type="checkbox"/> Bright fuchsia<br><input type="checkbox"/> Bright silver <input type="checkbox"/> Bright red<br><input type="checkbox"/> Bright blue <input type="checkbox"/> Bright lime<br><input type="checkbox"/> Bright anthracite <input type="checkbox"/> Pearl white<br><input type="checkbox"/> Bright orange <input type="checkbox"/> Bright blue china | <b>Colour set-Rear wheels and forks</b><br><input checked="" type="checkbox"/> Polished black 22" 24" 25" 26" 00833 <b>100,00</b><br><input type="checkbox"/> Bright silver 22" 24" 00833 <b>100,00</b><br><input type="checkbox"/> Bright anthracite 24" 00833 <b>100,00</b><br><input type="checkbox"/> Bright orange 22" 24" 00833 <b>100,00</b><br><input type="checkbox"/> Bright fuchsia 22" 24" 00833 <b>100,00</b><br><input type="checkbox"/> Bright blue 22" 24" 00833 <b>100,00</b><br><input type="checkbox"/> Bright red 22" 24" 00833 <b>100,00</b><br><input type="checkbox"/> Bright lime 22" 24" 00833 <b>100,00</b><br><b>To be matched only with:</b><br><b>Rear wheels Ultra-light Progeo - Standard!</b> |

| Casters   | Price   |
|---|---|
| <input checked="" type="checkbox"/> 5" Soft<br><input type="checkbox"/> 4" Soft<br><input type="checkbox"/> 4" Active Sport (narrow) (Aluminium alloy rim) 01398<br><input type="checkbox"/> 4" Active Soft (large) (Aluminium alloy rim) 03943 | <input type="checkbox"/> 3" Sport<br><input type="checkbox"/> 6" Soft (Available only with 110° angle)<br><input type="checkbox"/> 6" Pneumatic (Available only with 110° angle)<br><input type="checkbox"/> 7" Soft (Available only with 110° angle) |

| Rear wheels - See chart N3  | Price   |
|---|---|
| <input checked="" type="checkbox"/> 24" Ultra-light Progeo - Standard!<br><input type="checkbox"/> 24" ULTRA-LIGHT PROGEO KEY SPORT 04383 <b>680,00</b><br><b>Weight reduction approx. 450gr.</b><br><input type="checkbox"/> 22" Ultra-light Progeo - Standard!<br><input type="checkbox"/> 26" Ultra-light Progeo - Standard! | <input type="checkbox"/> 24" Ultra-light "Spinergy LX" 01685 <b>680,00</b><br><input type="checkbox"/> 24" Ultra-light "Spinergy Flex rim" 02270 <b>1.100,00</b><br><input type="checkbox"/> 25" Ultra-light "Spinergy LX" 02101 <b>680,00</b><br><input type="checkbox"/> 26" Ultra-light "Spinergy LX" 02102 <b>680,00</b><br><input type="checkbox"/> 24" Off-road 01392 <b>150,00</b> |

| Handrim - Wheel distance  | Price | Rear wheel tyre - See chart N3  | Price |
|---|-------|---|-------|
| <input checked="" type="checkbox"/> Aluminium (22"-24"-25"-26")<br><input type="checkbox"/> Chromed Steel (24"-25") (Not available with Spinergy) 01684 <b>50,00</b><br><input type="checkbox"/> Titanium (24"-25") 00016 <b>200,00</b><br><input type="checkbox"/> Ultra Grepp (24"-25") 00017 <b>240,00</b><br><input type="checkbox"/> Max Grepp (24"-25") 00834 <b>280,00</b><br><input type="checkbox"/> Ergo Para (24") 00632 <b>280,00</b><br><input type="checkbox"/> Dual Grepp (24"-25") 00018 <b>130,00</b><br><input type="checkbox"/> Quad (24") 00693 <b>160,00</b><br><input type="checkbox"/> Silicon cover for standard aluminium handrim Available for measures (22"-24"-25"-26") 04050 <b>130,00</b> |       | <input checked="" type="checkbox"/> High pressure tyre (22"-24"-25"-26")<br><input type="checkbox"/> High pressure profile tyre (24")<br><input type="checkbox"/> Marathon Plus (24") with anti-puncture protection 01669 <b>50,00</b><br><input type="checkbox"/> Kik tyre Mako (24")<br>Colour ★ Black <input type="checkbox"/> Grey <input type="checkbox"/> Red <input type="checkbox"/> Blue<br>01041 01751 01750 01752 <b>80,00</b> |       |

| Date   | Order  | English User name  | Address   |
|--|--|--|---|
| <b>Wheel locks</b>   |  |  |   |
| <input checked="" type="checkbox"/> Bent lever push to lock<br><input type="checkbox"/> Straight lever <input type="checkbox"/> Push to lock<br><input type="checkbox"/> Pull to lock<br><input type="checkbox"/> Sport brake under the seat   | <br><br>  | 03288<br><b>70,00</b>  | <input type="checkbox"/> Brake with extension lever push to lock      01949<br><input type="checkbox"/> Brake with extension lever pull to lock      03372<br><input type="checkbox"/> Brake handles for companion (Drum Brake)<br>(Black colour rear wheels, aluminium handrim and high pressure)<br><input type="checkbox"/> 22" 03385 <input type="checkbox"/> 24" 03384   |
| <b>Footplate - See chart N°4</b>   |  |  |   |
| <input checked="" type="checkbox"/> Plastic footrest<br>rake adjustable<br>(Minimum height 32 cm.)<br><input type="checkbox"/> Automatic Closure footplate<br><input type="checkbox"/> Internal    ☆ 2/3 Internal <input type="checkbox"/> External<br>rake and depth adjustable<br>(Minimum height 30 cm.)<br><input type="checkbox"/> NEW!!Multi-function and rotative system<br>Minimum height 25 cm.   | <br>   | 03945<br><b>150,00</b>   | <input type="checkbox"/> One piece footplate - Flip-up!<br><input type="checkbox"/> Internal    ☆ 2/3 Internal <input type="checkbox"/> External<br>rake and depth adjustable<br>(Minimum height 30 cm.)<br><input type="checkbox"/> NEW!!Multi-function and rotative system<br>Minimum height 25 cm.      03945<br><input type="checkbox"/> One piece aluminium footplate - Flip-up!<br><input type="checkbox"/> Internal    ☆ 2/3 Internal<br><input type="checkbox"/> 2/3 External <input type="checkbox"/> External<br>rake and depth adjustable<br><input type="checkbox"/> One piece Carbon fibre footplate<br><input type="checkbox"/> Internal <input type="checkbox"/> External<br>rake adjustable, swing away, flip-up.<br>(Minimum height 30 cm.)      03291   |
| <b>Mudguard</b>  |  |  |   |
| <input checked="" type="checkbox"/> ABS mudguard<br><input type="checkbox"/> Straight sideguard (Not with frame Dynamic)   |  |  | <input type="checkbox"/> Carbon fibre mudguard      03946 <b>240,00</b><br><input type="checkbox"/> Removable mudguard (Not with frame Dynamic)      03960 <b>80,00</b>   |
| <b>Optional (1)</b>  |  | <b>Price</b>   | <b>Optional (2)</b>   |
| <input type="checkbox"/> Transit wheels<br><input type="checkbox"/> Anti-tippers with rapid hookup<br>(inside rotation to reduce the encumbrance)<br><input type="checkbox"/> Right<br><input type="checkbox"/> Left<br><input type="checkbox"/> Push handles for companion<br>(Removable and height adjustable)<br><input type="checkbox"/> Swing away armrests<br>(Swing away, removable and height adjustable armrest)<br><input type="checkbox"/> Standard Support<br><input type="checkbox"/> Steel support with safety locking system<br><input type="checkbox"/> Desk armrests<br>(Removable and height adjustable)<br><input type="checkbox"/> Flip-up armrests<br>Height and depth adjustable<br>Swing away and removable<br><b>Kind of pad to be mounted on chosen armrest</b><br><input checked="" type="checkbox"/> Pad STANDARD<br><input type="checkbox"/> Ergonomic pad (30x6 cm.)<br><input type="checkbox"/> Spoke guards Black (22"-24")<br><input type="checkbox"/> Spoke guards Transparent (22"-24")<br><input type="checkbox"/> Spoke guards Progeo design (22"-24")<br><input type="checkbox"/> Spoke guards Dragon (22"-24") | <br><br><br><br><br> | 00836 <b>120,00</b><br>00023 <b>80,00</b><br>00024 <b>80,00</b><br>01048 <b>140,00</b><br>04828 <b>100,00</b><br>00694 <b>180,00</b><br>00026 <b>150,00</b><br>01675 <b>150,00</b><br>04104 <b>50,00</b><br>01043 <b>120,00</b><br>00835 <b>120,00</b><br>00019 <b>140,00</b><br>02106 <b>140,00</b> | <input type="checkbox"/> Tipping aid<br><input type="checkbox"/> Right      00025 <b>50,00</b><br><input type="checkbox"/> Left      01046 <b>50,00</b><br><input type="checkbox"/> Crutches support<br><input type="checkbox"/> Right      00838 <b>60,00</b><br><input type="checkbox"/> Left      00837 <b>60,00</b><br><input type="checkbox"/> Backrest with folding handles      02958 <b>200,00</b><br><input type="checkbox"/> Quick release front forks      00030 <b>120,00</b><br><input type="checkbox"/> Tetraclip<br>(Quick release axle for quadriplegic)      03947 <b>120,00</b><br><input type="checkbox"/> Rear wheels plate extension<br>(Not with frame Dynamic)      01950 <b>120,00</b><br><input type="checkbox"/> Handybike adaptor      00506 <b>50,00</b><br><input type="checkbox"/> Safety pelvic belt      03972 <b>50,00</b><br><input type="checkbox"/> Harness      04103 <b>100,00</b><br><input type="checkbox"/> Detachable and transparent table      00508 <b>220,00</b><br><input type="checkbox"/> Lumbar support<br>(to insert in the backrest upholstery)      00013 <b>30,00</b><br><input type="checkbox"/> Super Head rest<br>(Folding with the wheelchair)      04049 <b>330,00</b><br><input type="checkbox"/> Swing away lateral support<br><input type="checkbox"/> Right      02097 <b>200,00</b><br><input type="checkbox"/> Left      02098 <b>200,00</b> |
| <b>One arm drive</b>   |  | <b>Price</b>   | <b>Available Kit</b>  |
| <input type="checkbox"/> Right <input type="checkbox"/> Left<br>(24" rear wheels Aluminium handrim High pressure Tyre)      02103  | <b>300,00</b>  | <input type="checkbox"/> 24" Off-road rear wheels<br>(only with aluminium handrim)      03378  | <b>400,00</b>   |
| TUV GM Certified Product - TÜV Rheinland Italia Certified company normative UNI EN ISO 9001  |  |  |   |
| Pag. 2 / 3   | Wheelchair : EXELLE - Ver. 2011.1  | Prices in EURO - VAT excluded<br>to be added to the price list   | <b>Important notice! Send this page</b><br><input checked="" type="checkbox"/> standard (supplied if no requests are indicated)<br><input type="checkbox"/> on request (without extra charge)<br><input type="checkbox"/> optional (cost to be added at the basic price)  |




RehaTEAM s.r.l. Vicolo Negrelli, 4 - 31040 Castagnole di Paese (TV) - Tel. +39.0422.480387 / +39.0422.484657 / +39.0422.484661 / +39.0422.484684  
P.IVA IT 03182520266 - C.C.I.A.A. TV n.225867 - Iscr.Trib. TV n.41690 Capitale Sociale i.V. Euro 100.000,00

Email: progeo@rehateamprogeo.com - web: http://www.rehateamprogeo.com


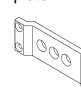
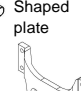
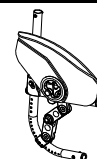
English

**REFERENCE TABLES**

- (1) The real seat depth, from the front part of the seat cloth to the backrest tube will be 1 cm more than the declared one.  
 (2) The seat width is measured from the outer sides of the frame, while the distance between the two side guards is 1.5 cm wider.  
 (3) The real seat depth, from the front part of the seat cloth to the backrest tube will be 2 cm more than the declared one.

| 1  |      | Front height |    |    |    |    |
|--|------|--------------|----|----|----|----|
| With closed frame (100) max 5" caster  |      |              |    |    |    |    |
| FORK   |      | Casters      |    |    |    |    |
|  |      | 3"           | 4" | 5" | 6" | 7" |
| SMALL   | min. | 39           | 40 | 42 |    |    |
|  | max  | 45           | 46 | 48 |    |    |
| MEDIUM  | min. | 45           | 45 | 45 | 46 | 48 |
|  | max  | 51           | 52 | 53 | 54 | 55 |
| LONG    | min. | 48           | 48 | 48 | 48 | 48 |
|  | max  | 54           | 55 | 56 | 57 | 58 |

The size of the fork will be defined only by Rehateam Progeo in accordance with wheelchair final configuration.

| 2  |   | Rear height       |                   |                   |                   |
|--|---|-------------------|-------------------|-------------------|-------------------|
| Rear frame   |   | Rear wheels       |                   |                   |                   |
|  |   | 22"               | 24"               | 25"               | 26"               |
| STANDARD  | Straight plate  | min. 37<br>max 45 | min. 39<br>max 47 | min. 40<br>max 48 | min 41<br>max 49  |
|  | Shaped plate    | min. 36<br>max 49 | min. 38<br>max 51 | min. 39<br>max 52 | min. 40<br>max 53 |
| DYNAMIC   |   | min. 36<br>max 49 | min. 38<br>max 51 | min. 39<br>max 52 | min. 40<br>max 53 |

| 3                                   |                                       | Rear wheels   |  |
|-------------------------------------|---------------------------------------|---|--|
| Model                               | Features                              | Handrim and tyre  |  |
| 22" Ultra-light Progeo - Standard!  | (not available in anthracite color)   | (aluminium handrim and high pressure tyre)  |  |
| 24" Ultra-light Progeo - Standard!  | (available for all colours)           | (all handrim and tyre)  |  |
| 24" ULTRA-LIGHT PROGEO KEY SPORT    | (silver hub, black rim and 16 spokes) | (all handrim and tyre)  |  |
| 24" Ultra-light "Spinergy LX"       | (silver hub, black rim and spokes)    | (all handrim and tyre)  |  |
| 24" Ultra-light "Spinergy Flex rim" | (silver hub, black rim and spokes)    | (integrated aluminium/rubber handrim - encumbrance reduction up to 3cm. - all tyre) |  |
| 24" Off-road                        | (colour: black)                       | (aluminium handrim - tyre Off-road)   |  |
| 25" Ultra-light "Spinergy LX"       | (silver hub, black rim and spokes)    | (all handrim but tyre and only with high pressure tyre)                             |  |
| 26" Ultra-light Progeo - Standard!  | (colour: black)                       | (aluminium handrim and high pressure tyre)  |  |
| 26" Ultra-light "Spinergy LX"       | (silver hub, black rim and 18 spokes) | (aluminium handrim and high pressure tyre)  |  |

| 4  |  | Footplate option |    | Footplate distance |    |
|--|--|------------------|----|--------------------|----|
| Plastic footrest                         |  | min.             | 32 | max                | 50 |
| One piece footplate - Flip-up!           |  | min.             | 30 | max                | 51 |
| One piece aluminium footplate - Flip-up! |  | min.             | 30 | max                | 51 |
| Automatic Closure footplate              |  | min.             | 30 | max                | 51 |
| One piece Carbon fibre footplate         |  | min.             | 30 | max                | 51 |

**IMPORTANT NOTICE!** From the footplate to the floor minimum 4cm.!! (Minimum Front height = DP + 4 cm.).

| 5          |      | Backrest height |          |
|------------|------|-----------------|----------|
| Short tube | min. | 30              | max 40,5 |
| Long tube  | min. | 42              | max 54   |

**Note**

.....

.....

.....

.....

.....

.....

Important notice! - Send this page only if any note is reported